

## Low Voltage High Performance 1:6 Clock Fanout Buffer

### Product Description

The MQC160100 is a member of the Multigig QuietClock™ Series of low noise timing solutions for high speed & accuracy fanout of the reference clock signal.

The MQC160100 is a low skew clock driver that provides a 1:6 fanout ratio with low additive jitter. The six LVCMOS outputs are buffered from a single input to reduce loading on the preceding driver and provide an efficient and quiet (low noise) clock distribution network. Outputs are designed for 3 inverting and 3 non-inverting signals to minimize switching noise and minimize corruption of the power supply.

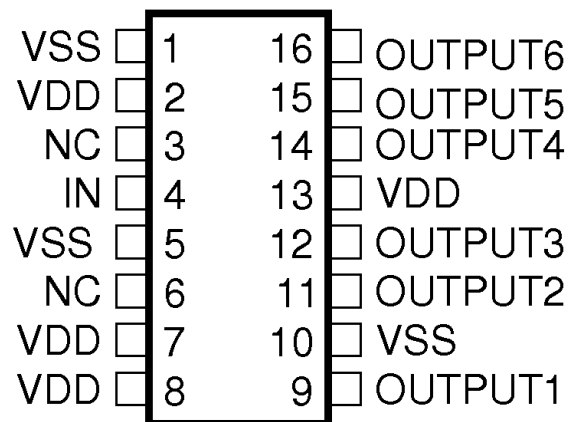
Multiple power and ground pins help to reduce noise. Typical applications are clock and signal distribution in WAN/LAN and computer system designs.

The MQC160100 provides clock fanout much like the popular 74FCT3807, with the advantages of improved jitter, lower power consumption and overall improved waveform integrity. A smaller footprint alternative is now available when a fanout of 6 is required.

### Features

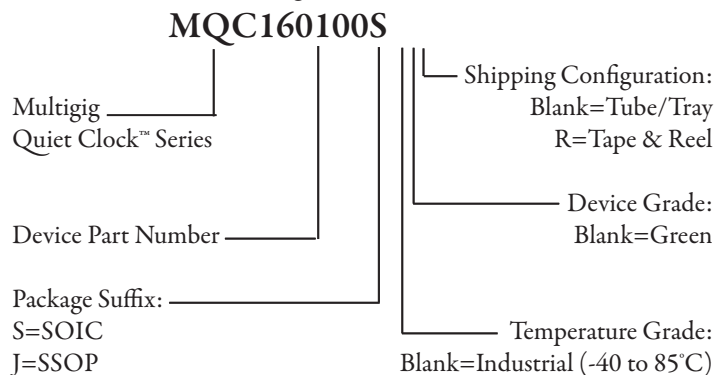
- 0.18 MICRON CMOS Technology
- Fmax = 250MHz
- Guaranteed low skew < 150ps (Max.) - same phase
- Very low duty cycle distortion 49/51% (Typ)
- 1:6 fanout ratio
- Fast Edges
- Typical output rise and fall time < 400ps - 10pf load
- 24mA/24mA drive
- Low input capacitance: 4.5pF typical
- Low Voltage Operation
- VDD = 3.3V ± 10%
- Industrial Temperature range is standard
- -40 to +85 °C
- Available in 16 pin SOIC or SSOP GREEN package

MQC160100



MQC160100 16-Lead SOIC Pinout  
(Top View)

### MQC160100 Ordering Information:



## MQC160100 Block Diagram

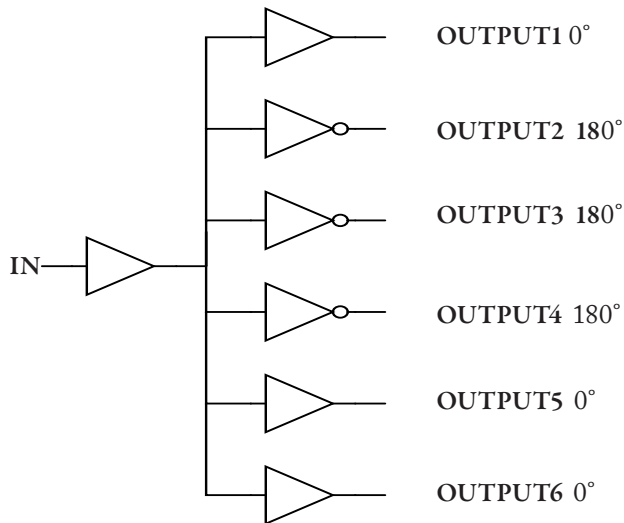


Figure-1

## Device Description

The MQC160100, part of the Multigig Quiet Clock Series, provides performance improvements to the clock fanout tree. Additive jitter is reduced, skew is reduced, and duty cycle error has been tightened. 3 outputs are inverting, and 3 are noninverting, to reduce the dI/dt impact on both output waveforms as well as system power supplies. To optimize duty cycle fidelity, the buffers are internally C-coupled, resulting in a 1MHz minimum operating frequency. Internally, devices are individually filtered and bypassed to provide the best possible jitter performance in the presence of noisy power busses. In second source applications, please note the input is not 5 volt tolerant, nor does it have hysteresis.

## Absolute Maximum Ratings

Symbol	Description	Max	Unit
V <sub>DD</sub>	Power Supply Voltage	-0.5 to +4.6	V
V <sub>IN</sub>	Input Voltage	-0.5 to VDD+0.5	V
V <sub>OUT</sub>	Output Voltage	-0.5 to VDD+0.5	V
T <sub>J</sub>	Junction Temperature	150	°C
T <sub>STG</sub>	Storage Temperature	-65 to 150	°C

NOTE: Exposure to stresses at or beyond those listed under Absolute Maximum Ratings may cause permanent damage to the device and may affect product reliability. These are absolute maximum specifications only, and functional operation of the device at these conditions or any conditions beyond those listed is not implied or recommended.

## IC Pinout Description

Pin #	Name	Type	Level	Description
1	V <sub>SS</sub>	PWR		
2	V <sub>DD</sub>	PWR		
3	NC			No Connect
4	IN	I	LVC MOS	Input Clock
5	V <sub>SS</sub>	PWR		
6	NC			No Connect
7	V <sub>DD</sub>	PWR		
8	V <sub>DD</sub>	PWR		
9	OUTPUT1	O	LVC MOS	OUTPUT - 0° to IN
10	V <sub>SS</sub>	PWR		
11	OUTPUT2	O	LVC MOS	OUTPUT - 180° to IN
12	OUTPUT3	O	LVC MOS	OUTPUT - 180° to IN
13	V <sub>DD</sub>	PWR		
14	OUTPUT4	O	LVC MOS	OUTPUT - 180° to IN
15	OUTPUT5	O	LVC MOS	OUTPUT - 0° to IN
16	OUTPUT6	O	LVC MOS	OUTPUT - 0° to IN

## DC Characteristics (VDD = 3.3V +/- 10%, TA = -40°C to 85°C)

Symbol	Parameter	Test Conditions		Min	Typ	Max	Unit
$V_{IH}$	Input HIGH Level						V
$V_{IL}$	Input LOW Level						V
$I_{IH}$	Input HIGH Current	$V_{DD} = \text{Max.}$	$V_I = \text{MAX}$				uA
$I_{IL}$	Input LOW Current	$V_{DD} = \text{Max.}$	$V_I = 0$				
$V_{IK}$	Clamp Diode Voltage	$V_{DD} = \text{Min.}, I_{IN} = -18\text{mA}$					
$I_{ODH}$	Output HIGH Current	$V_{DD} = 3.3\text{V}, V_{IN} = V_{IH} \text{ or } V_{IL}, V_O = 1.5\text{V}$					
$I_{ODL}$	Output LOW Current	$V_{DD} = 3.3\text{V}, V_{IN} = V_{IH} \text{ or } V_{IL}, V_O = 1.5\text{V}$					
$I_{OS}$	Short Circuit Current	$V_{DD} = \text{Max.}, V_O = \text{GND}$			35		mA
$V_{OH}$	Output HIGH Voltage	$V_{DD} = \text{Min.}$ $V_{IN} = V_{IH} \text{ or } V_{IL}$	$I_{IOH} =$				mA
			$I_{IOH} =$				
$V_{OL}$	Output LOW Voltage	$V_{DD} = \text{Min.}$ $V_{IN} = V_{IH} \text{ or } V_{IL}$	$I_{IOL} =$				mA
			$I_{IOL} =$				

## AC Characteristics (VDD = 3.3V +/- 10%, TA = -40°C to 85°C)

Symbol	Parameter	Conditions	Min	Typ	Max	Unit
$t_{PLH}$	Propagation Delay - Low to High	$C_L = 10\text{pF}$ $f \leq 250\text{MHz}$				ns
$t_{PHL}$	Propagation Delay - High to Low					ns
$t_R$	Output Rise Time 20%-80%				400	ps
$t_F$	Output Fall Time 20%-80%				400	ps
$t_{SK(O)}$	Same Device Output Pin-to-Pin Skew - Same Phase				150	ps
$t_{SK(OP)}$	Same Device Output Skew - Opposite Phases					ps
$t_{SK(P)}$	Pulse Skew $ t_{PLH} - t_{PHL} $					ps
$t_{SK(PP)}$	Part-to-Part Skew					ps
$f_{IN}$	Input Frequency*		1		250	MHz

\*Note: Internally C-coupled; No DC operation allowed.

### AC Characteristics (VDD = 3.3V +/- 10%, TA = -40°C to 85°C)

Symbol	Parameter	Conditions	Min	Typ	Max	Unit
$t_{PLH}$	Propagation Delay - Low to High	$C_L = 0pF$ $f \leq 250MHz$ $RL = 50ohm \text{ to } V_{dd}/2$		2.5		ns
$t_{PHL}$	Propagation Delay - High to Low			2.5		ns
$t_R$	Output Rise Time 20%-80%			215	400	ps
$t_F$	Output Fall Time 20%-80%			196	400	ps
$t_{SK(O)}$	Same Device Output Pin-to-Pin Skew - Same Phase			20	150	ps
$t_{SK(OP)}$	Same Device Output Skew - Opposite Phases			80		ps
$t_{SK(P)}$	Pulse Skew $ t_{PLH} - t_{PHL} $					ps
$t_{SK(PP)}$	Part-to-Part Skew					ps
$f_{IN}$	Input Frequency*			1		250

\*Note: Internally C-coupled; No DC operation allowed.

### Capacitance

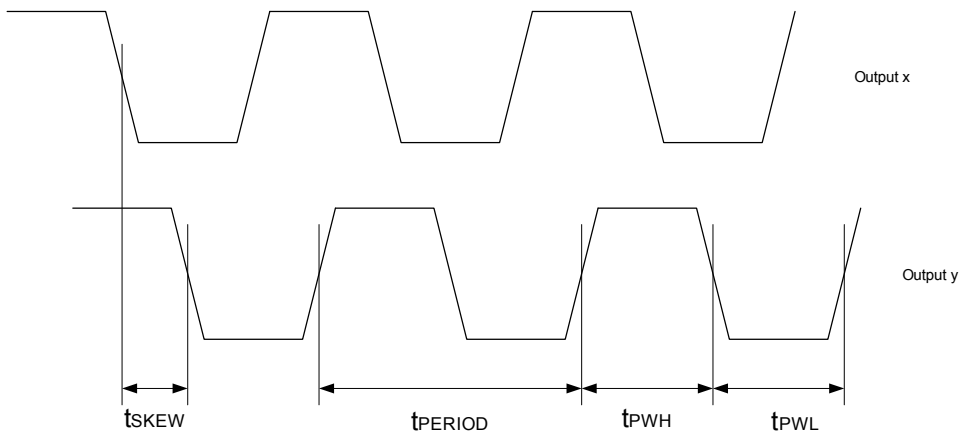
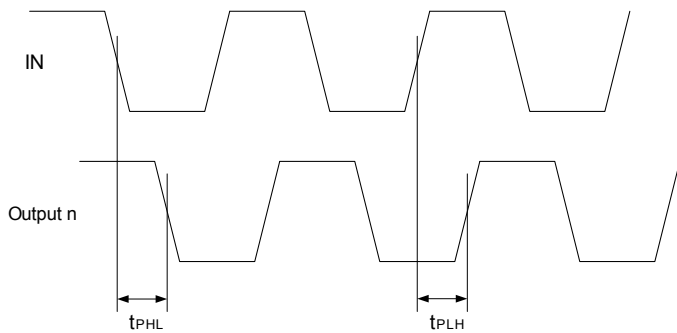
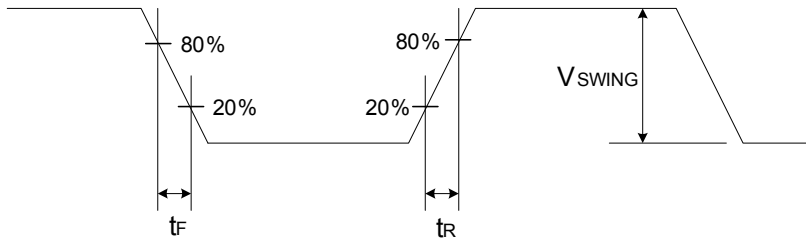
Symbol	Parameter	Test Conditions	Min	Typ	Max	Unit
$C_{IN}$	Input Capacitance	$V_{IN} = 0V$	3	4.5		pF
$C_{OUT}$	Output Capacitance	$V_{OUT} = 0V$		6		pF

### Power

Symbol	Parameter	Test Conditions	Min	Typ	Max	Unit
$I_{DD}$	Total Power Supply Current	$V_{DD} = \text{Max.}$ $C_L = 10pF$ All Outputs Toggling $F_{IN} = 250MHz$		102	114	mA



## Switching Waveforms





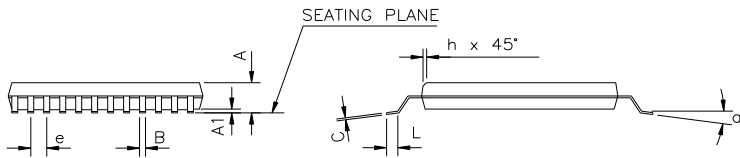
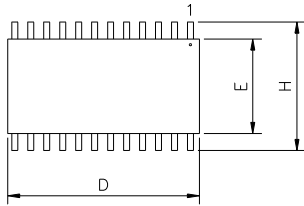
## Package Outline Drawing - SOIC

300 MIL SOIC  
PLASTIC SMALL OUTLINE GULLWING

### PACKAGE INFORMATION

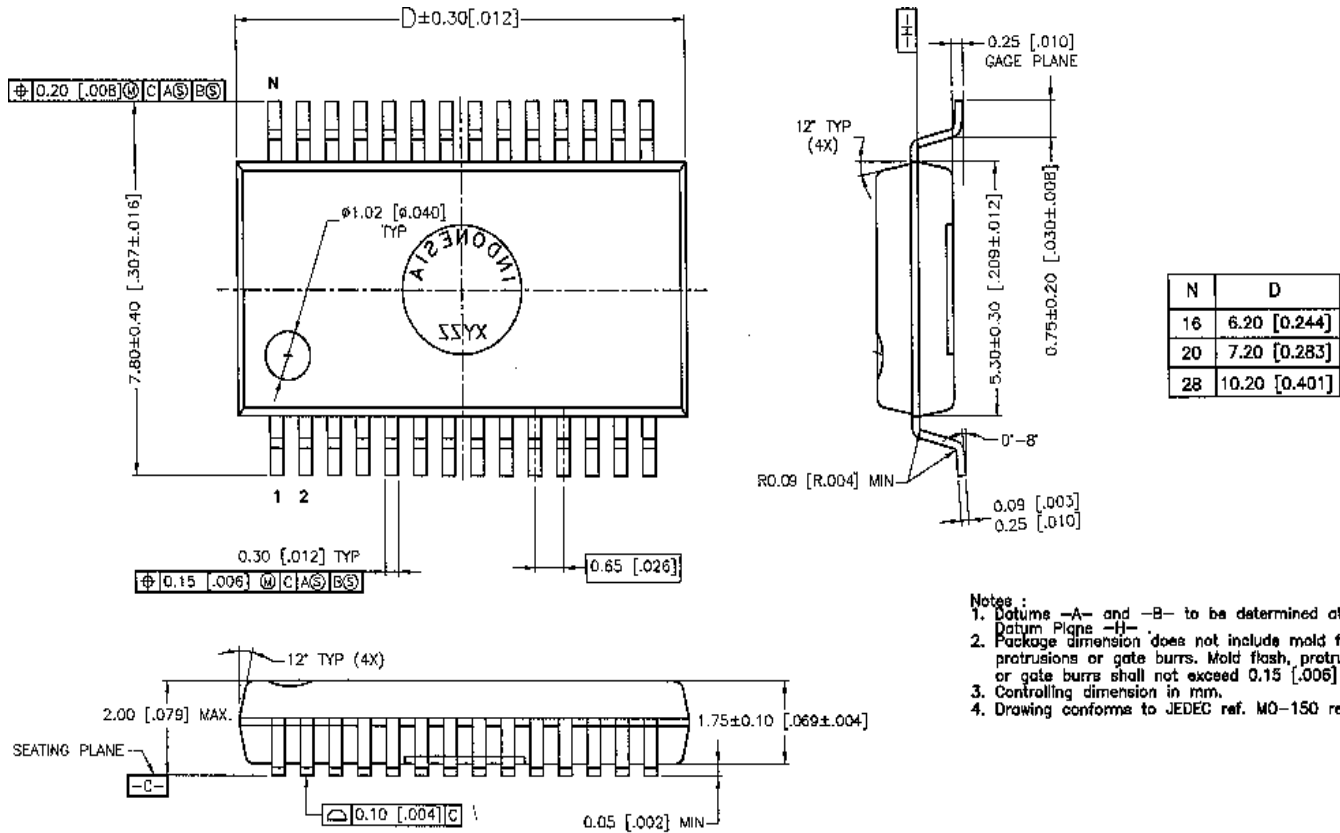
#### NOTES

1. LEAD WIDTH AND LEAD THICKNESS EXCLUSIVE OF SOLDER PLATE
2. PACKAGE OUTLINE EXCLUSIVE OF MOLD FLASHES AND BURR DIMENSIONS
3. ALLOWABLE MOLD FLASH IS 5 MILS PER SIDE.
4. DIMENSIONS ARE GIVEN IN INCHES.
5. LEAD COPLANARITY IS 0.003 INCH MAX.



JEDEC #	MS-013AC	
TYPE	20 LEAD	
SYMBOL	Min	Max
A	0.096	0.104
A1	0.005	0.011
B	0.014	0.019
C	0.009	0.012
D	0.500	0.510
E	0.292	0.299
e	0.050	BSC
H	0.396	0.416
h	0.010	0.016
L	0.020	0.040
α°	0	8°

## Package Outline Drawing - SSOP





© Copyright 2008 Multigig Inc. All rights reserved. Multigig reserves the right to change or discontinue any product without notice; customers should obtain the latest version of relevant information before placing orders to ensure that information being relied on is current and complete. All products are sold subject to the terms and conditions of sale supplied by Multigig at the time of its order acknowledgment, including those pertaining to warranty, patent infringement, and limitation of liability.

Multigig warrants performance of its semiconductor products to the Multigig specifications applicable at the time of sale in accordance with Multigig's standard warranty. **ALL OTHER WARRANTIES, INCLUDING WITHOUT LIMITATION MERCHANTABILITY, NONINFRINGEMENT, AND FITNESS FOR A PARTICULAR PURPOSE ARE DISCLAIMED.**

Multigig shall have no liability for cost of substitute products or for any consequential, incidental, or indirect damages.

Certain applications using semiconductor products may involve potential risks of death, personal injury, or severe property or environmental damage ("Critical Applications"). **MULTIGIG PRODUCTS ARE NOT DESIGNED, AUTHORIZED, OR WARRANTED TO BE SUITABLE FOR USE IN LIFE-SUPPORT DEVICES OR SYSTEMS OR OTHER CRITICAL APPLICATIONS.** Customer shall indemnify and hold Multigig and its employees, directors, affiliates, and distributors harmless against all claims, costs (including attorneys fees), damages, liability, and expenses, arising out of any claim of death, personal injury, or property or environmental damage associated with use in Critical Applications, even if Multigig was negligent regarding the design or manufacture of the product.

Customers are responsible for their products and applications using Multigig components, and Multigig shall have no responsibility with respect thereto. No license, either express or implied, is granted by Multigig under any patent right, copyright, mask work right, or other intellectual property right with respect to any combination, equipment, or process in which such products are used. Multigig's publication of information regarding any third party's products or services does not constitute or imply any such license or Multigig's approval, warranty or endorsement thereof.

**QuietClock™ and RotaryWave™ are Trademarks of Multigig Incorporated**